

# ASSEMBLY INSTRUCTIONS

## RICKI LIFT CHAIR 2499UK-89PHR

⚠ The components are heavy, assembly should be performed by two people.



### Ricki Lift Chair

If you have any difficulty with assembly or operation, please contact the store of purchase in the first instance. Please read the below safety & electrical instructions before operating

#### Safety Instructions

- This product is not intended for use by persons (including children) with reduced physical, sensory or mental capabilities, or lack of experience and knowledge, unless they have been given supervision or instruction concerning use of the product by a person responsible for their safety.
- Ensure there is no person, animal or item obstructing the area under the footrest before operating this product.
- Improper use or installation may result in the risk of fire, electric shock and/or injury. We assume no liability for any eventual damages caused by improper use or inappropriate handling, or by any other non-compliance with the instructions in this manual.
- Children should be supervised to ensure that they do not play with the product.
- This product contains moving parts. Keep fingers, hair and body parts well clear from moving parts. To reduce the risk of injury, keep Children and pets clear of the product when in use.
- Do not sit or place additional weight on the arms, back or open footrest.
- This product is very heavy. Only move this product by lifting the main body. Never drag by the footrest, back or arm rest.
- Return this product to the full upright position to stand safely and prevent a tripping hazard.
- Do not operate this product if damage is visible in any form.
- Do not modify or use unauthorised substitute parts.
- This product has been designed and intended for indoor residential use only. It is not suitable for commercial or outdoor use.
- This product is not intended to be used as part of a health care plan. Consult your medical professional before operating if you are taking medication or have physical limitations.

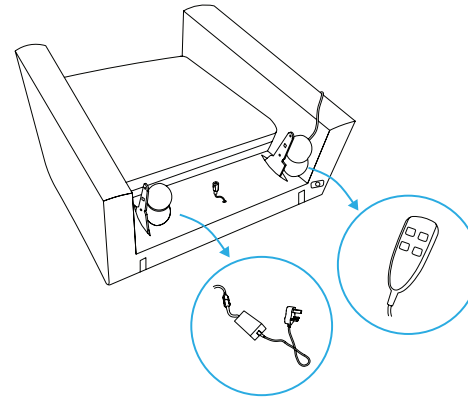
#### Electrical Instructions

- Never force the back or footrest to close faster than the electric motor.
- Before commencing cleaning or maintenance, ensure this product is disconnected from the power outlet and the back is in the full upright position.
- Disconnect this product from the power outlet before moving.
- Cease operation and disconnect from the power outlet if you ever detect a burning odour or smoke coming from the product.
- Do not operate this product if liquid spillage occurs on or around it. Disconnect from the power outlet and allow product to completely dry before reconnecting.
- Do not operate the power functions or charge station with wet hands.
- Check the condition of the power cord, electrical cords, transformer, plug and connector on a monthly basis. Do not operate if wear is visible on any components.
- Ensure the power cord, electrical cords and transformer are clear of moving parts and not trapped underneath the base.
- Position the power cord to minimise a tripping hazard.
- Never attempt to open or disassemble electrical components.
- We recommend the use of a surge protector (not included).
- Connect power supplies directly to a wall outlet wherever possible. If a powerboard is required, check its maximum power load and don't exceed. Never "daisy-chain" more than one powerboard together.
- Make sure all plugs are connected before plugging the power supply into a power outlet.
- The USB ports (where applicable) are designed with working voltage of 5V, and can not be used to supply power for laptop computers (neither PC or Mac). Plugging a laptop computer into the USB port may end up damaging either the computer or the USB port due to unmatched working voltage.

**The Electric Apparatus of Electric Recliner**  
**Model: Ricki Lift Recliner**  
**Supplier Code: 2499UK-89PHR**

For use with Power Supply Model DOT-Z-290020A  
**Input:**  
 For Power Supply: AC100-240V~, 50/60Hz, 2.5A  
 For Sofa: 29V~, 2.0A, 58.0W

**MADE IN CHINA**  
**CRAFTED WITH CARE AND IMPORTED BY SMART COMFORT**  
 Smart Comfort Limited [customer@smartcomfort.com](mailto:customer@smartcomfort.com)  
 483 Green Lanes, London, N13 4BS, United Kingdom



#### Step 1

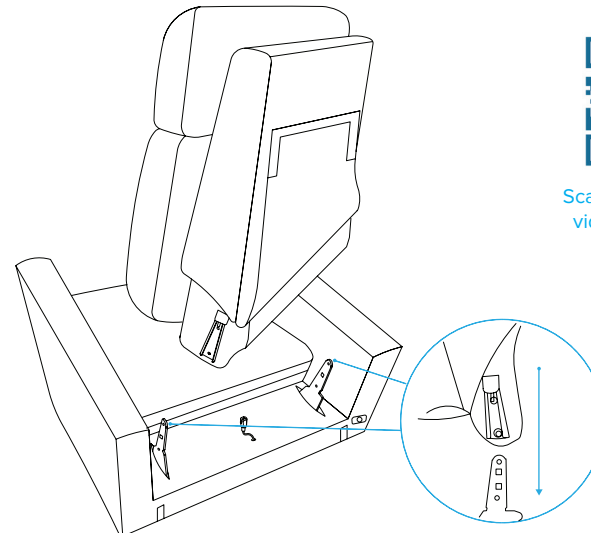
Remove all packaging and set aside in a safe location before disposal or recycling of applicable materials.

On the support posts of the seat base there are packages containing the power supply and remote control - remove the packaging and set the items aside.

#### Step 2

Lift the backrest to align the metal receivers with the metal posts of the chair base.

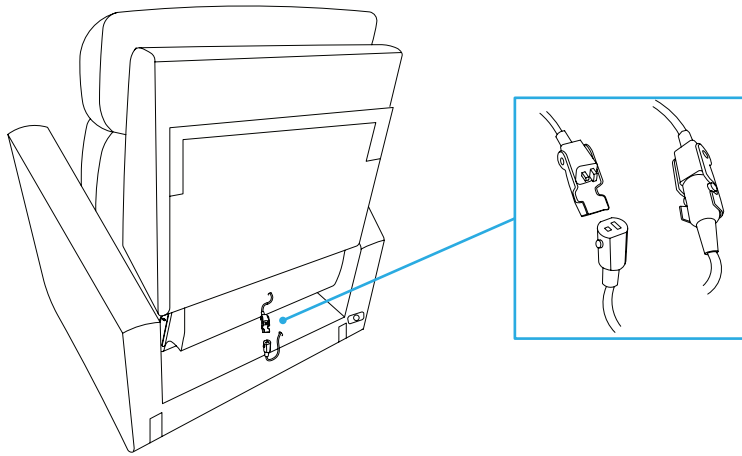
Allow the posts to slide into the receivers and press down firmly on the top of the backrest until a click is heard on each side.



Scan QR code for a video of this step

**Step 3**

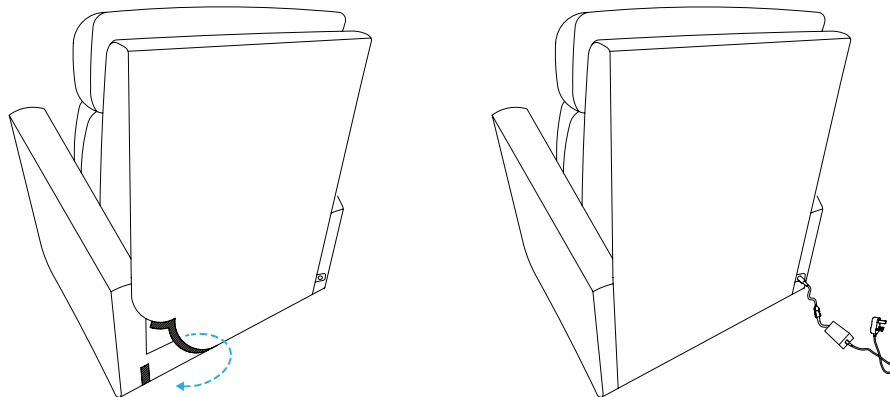
Connect the electrical cables between the seat base and backrest.



**Step 4**

Fix the backrest fabric down to the seat base using the velcro strips.

Lastly, connect the power supply into the outlet at the bottom of the chair base and connect directly to a wall outlet.

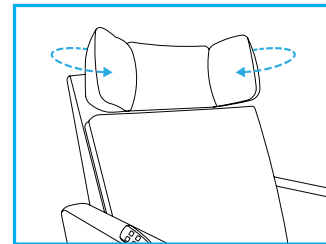
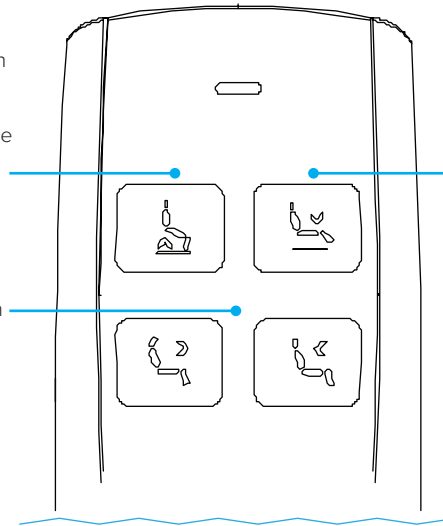


**Remote Control Operation**

**The seat raise button** can be pressed to raise the powered lift function of the chair, or restore the chair upright if it is reclined

**The headrest buttons** can be pressed to adjust the angle of the headrest to your preference

**The seat lower button** can be pressed to lower the powered lift function of the chair. Continue holding the button past the starting position to recline the chair

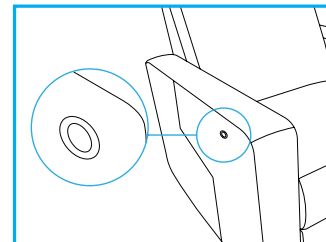


**Adjustable Headrest**

The sides of the headrest can also be adjusted to further improve head & neck support.

Gently pull the sides and release when in the desired position.

Push backward to reset to the standard flat setting.



**Night Light**

The LED lights underneath the chair can be switched on by pressing the button on the outside of the armrest. Press to cycle through three brightness levels, or off.