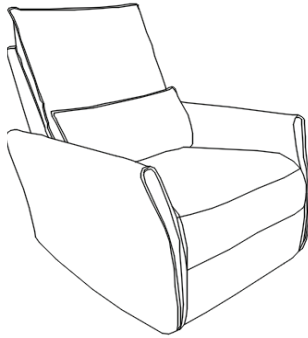


ASSEMBLY INSTRUCTIONS

SOPHIA LOUNGE CHAIR 5121UK-84 PHR

⚠ The components are heavy, assembly should be performed by two people.



Sophia Lounge Chair

If you have any difficulty with assembly or operation, please contact the store of purchase in the first instance. Please read the below safety & electrical instructions before operating

Safety Instructions

- This product is not intended for use by persons (including children) with reduced physical, sensory or mental capabilities, or lack of experience and knowledge, unless they have been given supervision or instruction concerning use of the product by a person responsible for their safety.
- Ensure there is no person, animal or item obstructing the area under the footrest before operating this product.
- Improper use or installation may result in the risk of fire, electric shock and/or injury. We assume no liability for any eventual damages caused by improper use or inappropriate handling, or by any other non-compliance with the instructions in this manual.
- Children should be supervised to ensure that they do not play with the product.
- This product contains moving parts. Keep fingers, hair and body parts well clear from moving parts. To reduce the risk of injury, keep Children and pets clear of the product when in use.
- Do not sit or place additional weight on the arms, back or open footrest.
- This product is very heavy. Only move this product by lifting the main body. Never drag by the footrest, back or arm rest.
- Return this product to the full upright position to stand safely and prevent a tripping hazard.
- Do not operate this product if damage is visible in any form.
- Do not modify or use unauthorised substitute parts.
- This product has been designed and intended for indoor residential use only. It is not suitable for commercial or outdoor use.
- This product is not intended to be used as part of a health care plan. Consult your medical professional before operating if you are taking medication or have physical limitations.

Electrical Instructions

- Never force the back or footrest to close faster than the electric motor.
- Before commencing cleaning or maintenance, ensure this product is disconnected from the power outlet and the back is in the full upright position.
- Disconnect this product from the power outlet before moving.
- Cease operation and disconnect from the power outlet if you ever detect a burning odour or smoke coming from the product.
- Do not operate this product if liquid spillage occurs on or around it. Disconnect from the power outlet and allow product to completely dry before reconnecting.
- Do not operate the power functions or charge station with wet hands.
- Check the condition of the power cord, electrical cords, transformer, plug and connector on a monthly basis. Do not operate if wear is visible on any components.
- Ensure the power cord, electrical cords and transformer are clear of moving parts and not trapped underneath the base.
- Position the power cord to minimise a tripping hazard.
- Never attempt to open or disassemble electrical components.
- We recommend the use of a surge protector (not included).
- Connect power supplies directly to a wall outlet wherever possible. If a powerboard is required, check its maximum power load and don't exceed. Never "daisy-chain" more than one powerboard together.
- Make sure all plugs are connected before plugging the power supply into a power outlet.

The Electric Apparatus of Electric Recliner
Model: Sophia Swivel Recliner
Supplier Code: 5121UK-84PHR

For use with Power Supply Model **GQ65T-290200**
Input:
 For Power Supply: AC100-240V~, 50/60Hz, 2.5A
 For Sofa: 29V~, 2.0A, 58.0W
Output:
 For USB-A: DC 5V, 2A
 For USB-C: DC 5V, 3A

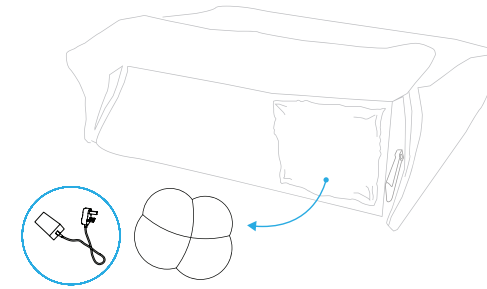
MADE IN CHINA
CRAFTED WITH CARE AND IMPORTED BY SMART COMFORT
 Smart Comfort Limited customercare@smartcomfort.com
 483 Green Lanes, London, N13 4BS, United Kingdom



Step 1

Remove all packaging and set aside in a safe location before disposal or recycling of applicable materials.

On the underside of the seat back there is a package containing the power supply - remove the packaging and set the power supply aside.



Step 2

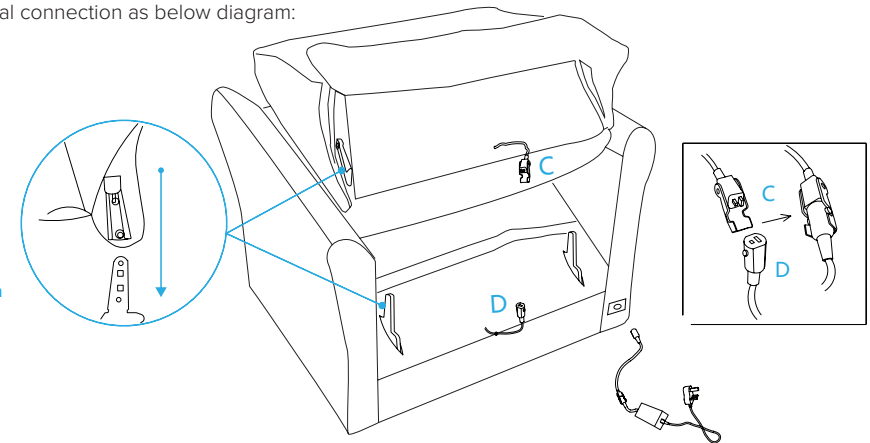
Place the backrest facing down on the seat base.

Then, lift the backrest to align the metal receivers with the metal posts of the chair base. Allow the posts to slide into the receivers and press down firmly on the top of the backrest until a click is heard on each side.

Make the electrical connection as below diagram:



Scan QR code for a video of this step



Lastly connect the power supply cables together, plug into the outlet at the bottom of the chair base and connect to a wall outlet. Please ensure you have read the safety and electrical instructions before operating.

- ⚠ Make sure all plugs are connected on the product before plugging the power cords into a wall outlet - otherwise product damage may occur. The USB ports (where applicable) are designed with working voltage of 5V and can NOT be used to supply power for laptop computers (neither PC or Mac). Plugging a laptop computer to the USB port may end up damaging either the computer or the USB port due to unmatched working voltage.

Recline buttons

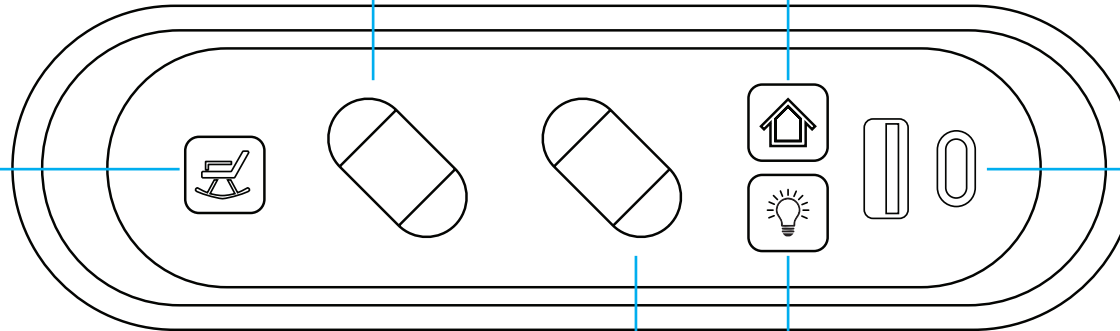
Press and hold to recline or upright the chair.
Release button when desired position is found

Home button

Press and hold to return the chair to upright sitting position. Use of home button will stop auto-gliding motion

Glider button

Press to turn on the auto gliding function.
Press to cycle through 4 speed settings,
or hold for 1.5 seconds to turn off.
Auto-off after 30 minutes



USB Outlets

Used to charge small devices such as smartphones and tablets

Headrest buttons

Press and hold to adjust the angle of the headrest.
Release button when desired position is found

Light button

Press to turn on the lighting underneath the chair base. Press to cycle through the different brightness settings.
Auto-off after one hour



Child lock function

Press and hold the Glider button and Home button together for 3 seconds to lock the control panel buttons from input. Press and hold again to unlock. USB and light functions will still work while locked as they do not require moving parts